

LPR[®]-1DHP

Crane Position Detection Indoors and Outdoors

- Quick installation
- Contactless measurement by means of radio waves
- Unaffected by contamination, weather and vibration
- Usable indoors and outdoors
- Ideal for semi-automatic and automatic cranes
- Maintenance- and wear-free

LPR[®]-1DHP features high precision sensors for distance measurement with radio signals. With one sensor pair, the exact position and skewing of (gantry) cranes can be dynamically determined in real-time.

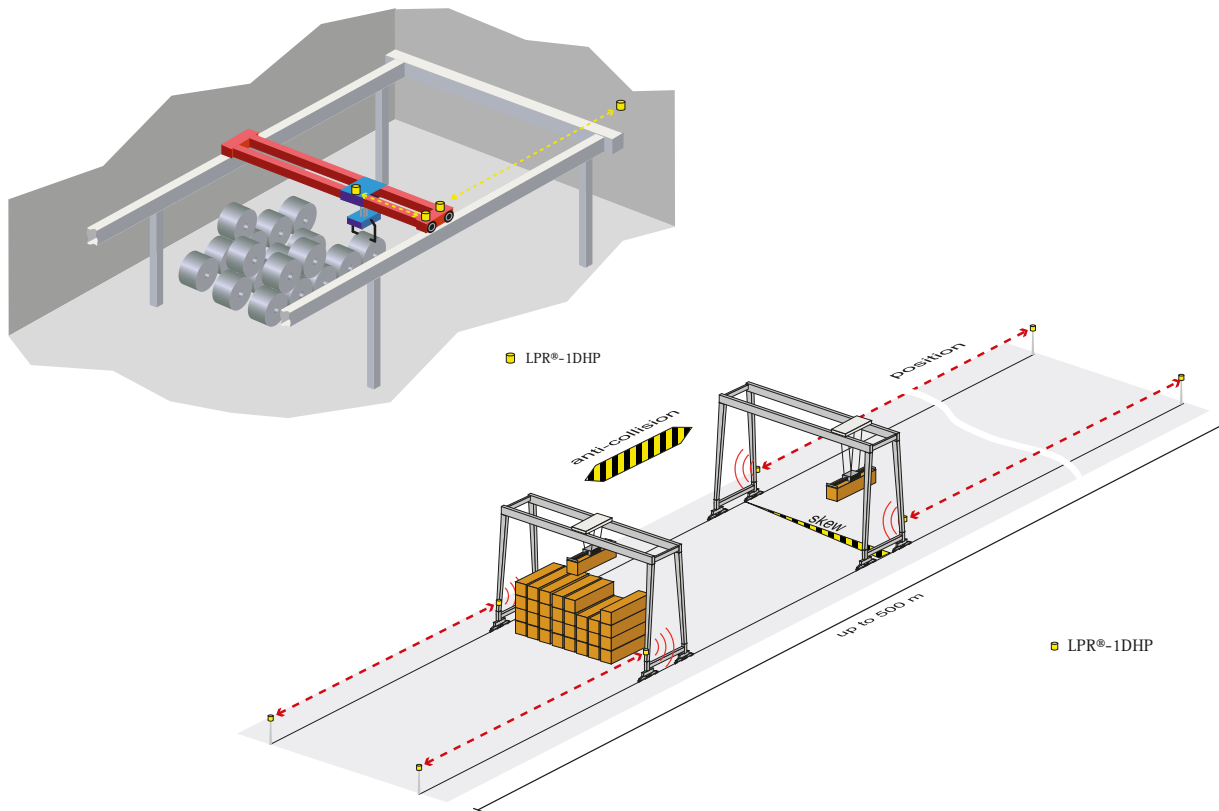
In addition to the distance reading, the relative approach speed of the LPR[®] sensors is available. All data is made available at standard interfaces.

The devices are easy to install and operate. The radio antenna is integrated in the robust housing design. The systems are supplied preconfigured and ready to run.

SyMEMO LPR[®] radio works highly reliable and precise even under adverse conditions, indoors and outdoors. Due to the operation frequency, there is absolutely no influence on WiFi networks operating in parallel.

LPR[®]-1DHP sensors are maintenance-free.

Typical LPR®-1DHP applications



Technical Data: LPR®-1DHP

Frequency range	61.0-61.5 GHz, ISM-band
Output power	max. 0.1 W EIRP
Measuring distance	up to 500 m *
Typical accuracy	up to ± 1 cm *
Repeat rate	max. 25 Hz
Voltage	10-36 V DC
Power consumption at max. update rate	15 W
Ambient temperature	-40 °C to +75 °C
Protection class	IP65
Housing dimensions (LxWxH); weight	205 x 140 x 140 mm; 2.4 kg
Hardware interface	serial RS232, Ethernet TCP/IP, Profibus (optional)
Data interface	Syмео ASCII or binary protocol
Status indication	LED
External connector type	Ethernet housing connector, other interfaces via cable gland
Antenna	integrated
Compliance	CE, FCC, IC

* depending on application conditions